



Features

- High Quality, High Efficiency Whole House Dehumidifier
- Up to 160 pints per 24 hours (ANSI/AHAM Standard DH-1)
- Vertical and Horizontal Models
- Powder Coat Painted Steel Cabinet -14 Gauge Base 20 Gauge Cabinet
- Cabinet interior fully insulated with 1" non-fiberglass insulation
- Can be installed in conditioned or non-conditioned spaces.
- Integral Internal Electrical Control Box
- Integral Horizontal Suspension Capability
- Stainless Steel Internal Drain Pan
- Sani-Clean® Internally trapped 3/4" condensate drain
- Balanced Refrigerant Circuit w - 4 Row Evaporator Coil using Automatic Expansion Valve with matched Refrigerant Nozzle and Distributor
- Rifled Copper Tube and Aluminum Fin Evaporator and Condenser (Re-heat) Coils
- Oversized Refrigerant System Accumulator
- R-22 Refrigerant
- 24V Control Board - with interlock for air handler blower
- Voltage 115v 60Hz
- Residential & Light Commercial Applications
- ETL, ETLC Listed for the U.S. and Canada

Standard Models

- Replaceable MERV 8 Pleated Pre-Filter
- Replaceable MERV 11 Pleated Primary Filter

Gold Models

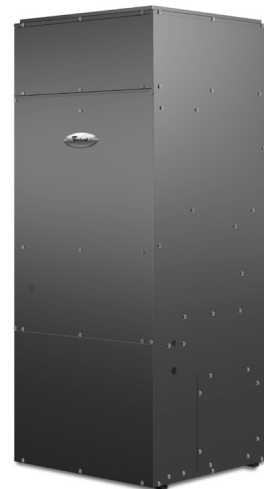
- Replaceable MERV 8 Pleated Pre-Filter
- Replaceable MERV 20 (HEPA) Filter
- Built-In Germicidal Ultra-Violet (UV) Lamp

Warranty

- 1 Year Parts & 5 Year Compressor
(See Warranty for Details)

Whirlpool® High-Capacity Whole House De-Humidifier

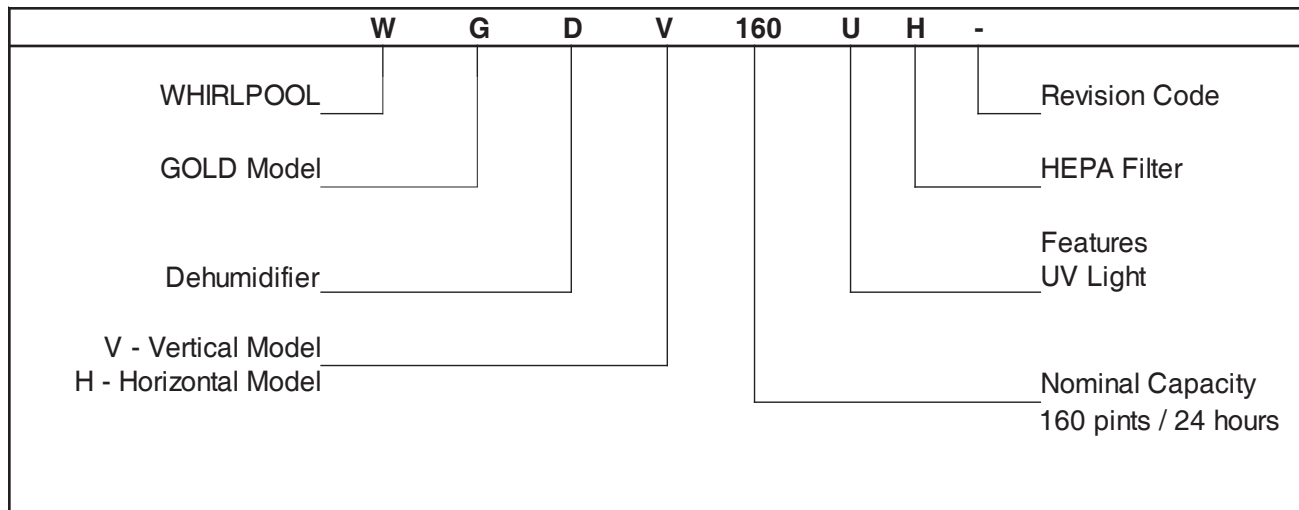
WGDV160



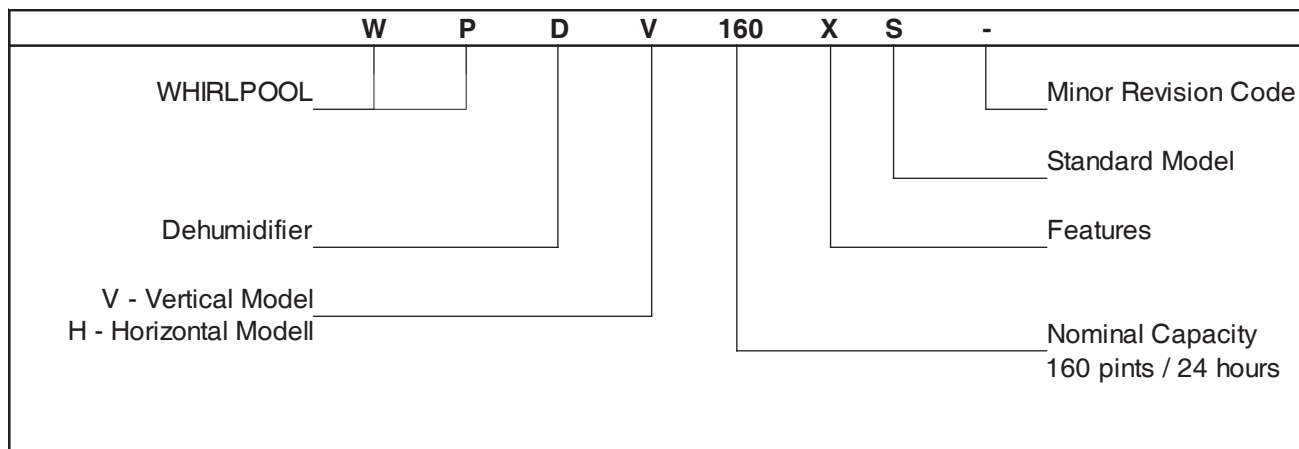
WGDH160



Model Number Guide - Gold



Model Number Guide - Standard



Performance

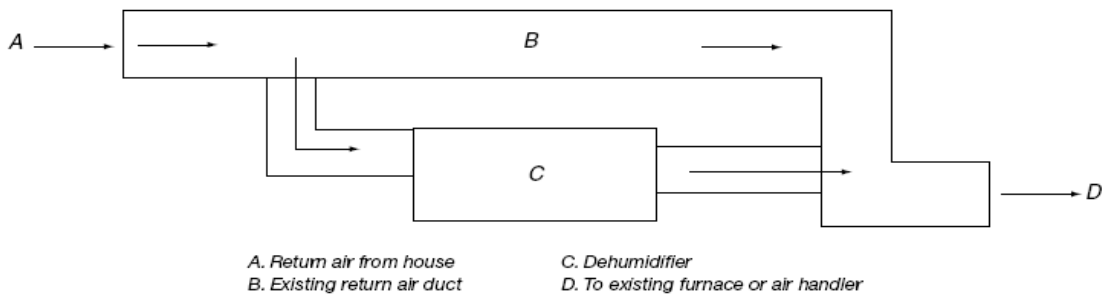
Temperature Entering Air Degrees F / C	RH % Entering Air	Capacity Pints per 24 Hours	Capacity Liters per 24 Hours	E-Factor W- HEPA Filter
60F / 16C	70%	135	63.9	
80F / 27C	60%	161	76.1	1.8
90F / 32C	50%	123	58.2	

Electrical Guide

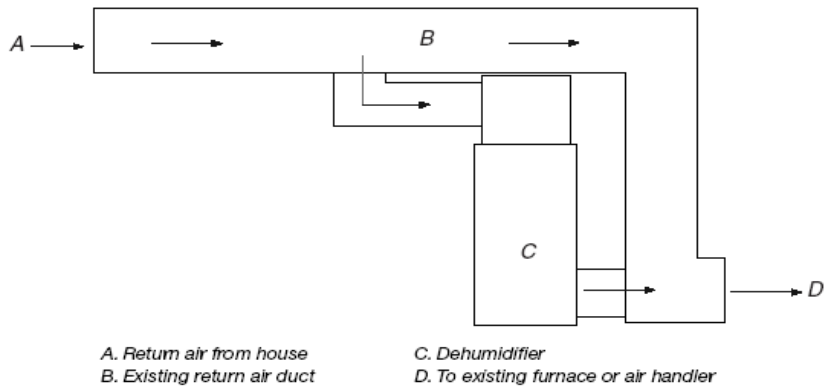
Model	Voltage/ Hz/Phase	Voltage Range	Min. Circuit Ampacity	Max. Over- current Device (amps)	Compressor		Fan Motor			R-22 Refrig. Charge (oz.)	Weight (lbs.)
					Rated Load (amps)	Locked Rotor (amps)	Rated Load (amps)	Rated HP	Nom. RPM		
Gold Model											
WGDV160UH	115 / 60 / 1	110-120	20	20	10.6	62.0	4.0	1/6	1750	42	170
WGDH160UH	115 / 60 / 1	110-120	20	20	10.6	62.0	4.0	1/6	1750	42	170
Standard Model											
WPDV160XS	115 / 60 / 1	110-120	20	20	10.6	62.0	4.0	1/6	1750	42	170
WPDH160XS	115 / 60 / 1	110-120	20	20	10.6	62.0	4.0	1/6	1750	42	170

Typical Installation Configuration

Horizontal Installation



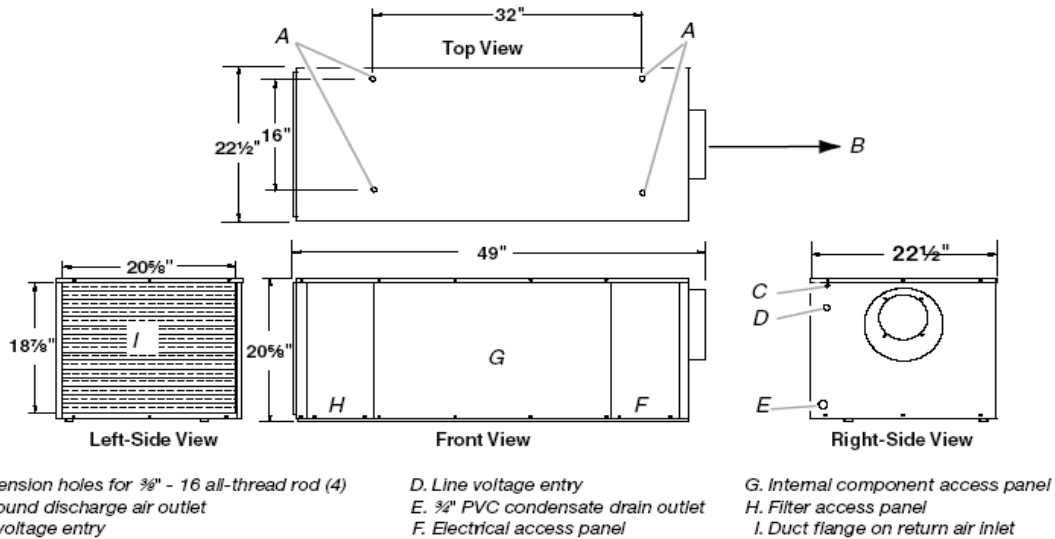
Vertical Installation



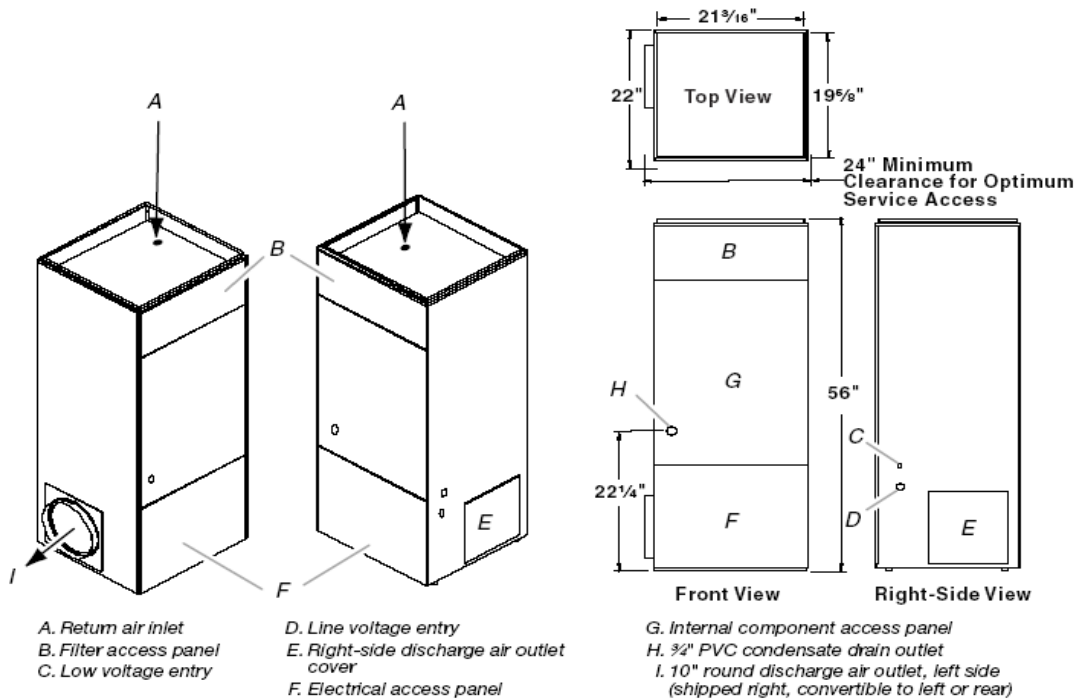
Dimensions

Model No.	Length	Width	Depth	Return Opening	Supply Opening	Pre-Filter Size MERV 8 (Pleated)	Filter Size HEPA or MERV 13 (Pleated)
W*DH160**	49"	20 5/8"	22 1/4"	18 7/8" W x 20 5/8" D	10" Round	19" x 21" x 2"	19" x 21" x 3"
W*DV160**	56"	24"	22 1/8"	21 3/16" W x 19 5/8" D	10" Round	19" x 21" x 2"	19" x 21" x 3"

Horizontal Installation Dimensions



Vertical Installation Dimensions – Upflow/Counterflow



Notes



Specifications Subject to Change Without Notice

©TM Whirlpool and all other trademarks are owned by Whirlpool U.S.A., used under license by Tradewinds Distributing Company, LLC

Form#WGD.01 04/07

Printed in U.S.A.

©2007

Patents Pending